



HPS III-MHR200 radial version

Technical data

Version 04/2022

HPS III-MHR200 radial version

Single nozzle and system nozzle

Dimensions and tip versions

Version	System nozzle	Single nozzle					
Machine radius (Dim. R)	--	0	15	15.5	40	1/2" (13.2)	3/4" (19.5)
Dim. T	--	0	2	2	0.8	2	1.8
Locating ring	--	Item number 50456... Diameter .100 / .110 / .125 / .160 / .175					

Number of tips	1, 2, 4		
Nozzle length (Dim. G) ⁽¹⁾	105	114	144
Height of nozzle holder for system nozzle (Dim. N)	15	15 - 24	15 - 54

Tip versions	90°	60°
Pitch diameter (Dim. Y)	60	60
Dim. X	60	64.5
Recommended gate diameters	0.8 - 1.5	0.8 - 1.5

(1) Other nozzle lengths available on request

Item numbers:

System nozzle: **MHR200-V01-95...**

Single nozzle: **MHR200-V01-93...**

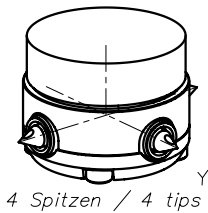
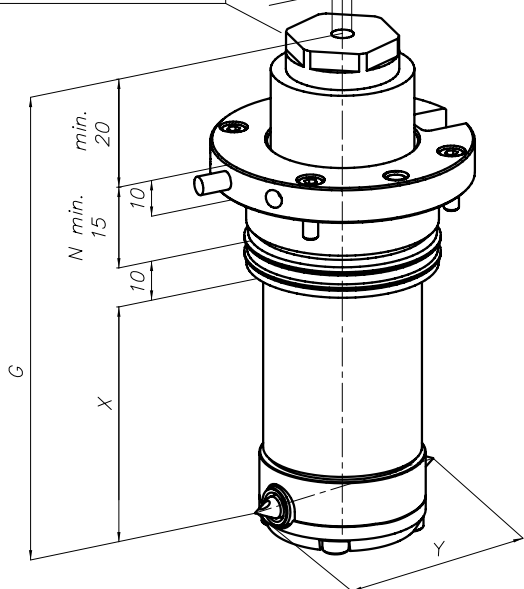
Each nozzle will be configured individually to suit your application requirements. Please contact us!

ATTENTION!
The injection unit contact pressure must not exceed 30 KN

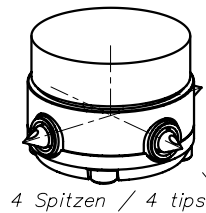
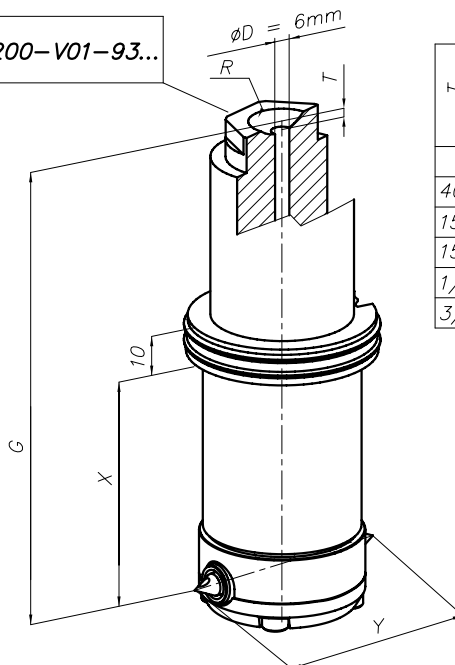
HPS III Verteiler manifold
2 Spitze / 2 tips = 6mm
4 Spitzen / 4 tips = 10mm

1 Spitze / 1 tip
2 Spitze / 2 tips
4 Spitzen / 4 tips
 $\phi D = 6$
 $\phi D = 10/8$

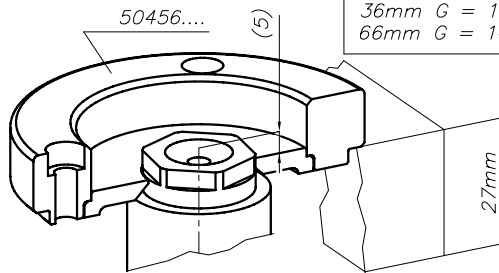
MHR200-V01-95...



MHR200-V01-93...

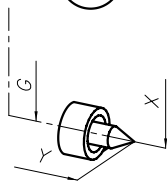


27mm G = 105
36mm G = 114
66mm G = 144

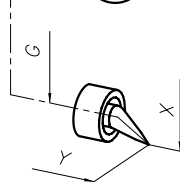


R	T
40	0.8
15	2
15.5	2
1/2"(13.2)	2
3/4"(19.5)	1,8

90°



60°

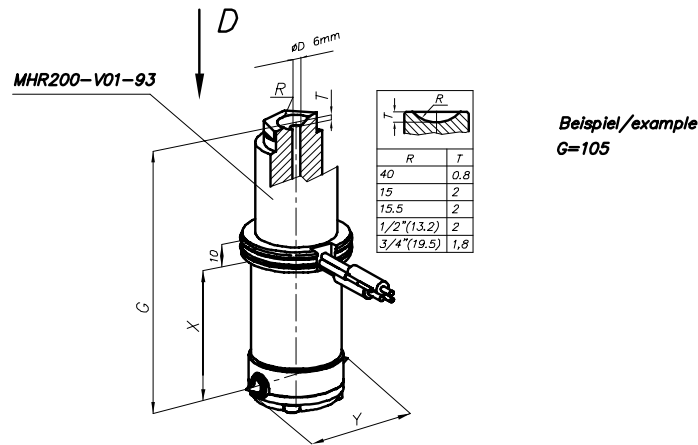
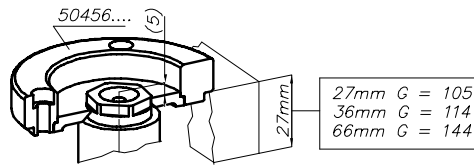


HPS III-MHR200 radial version

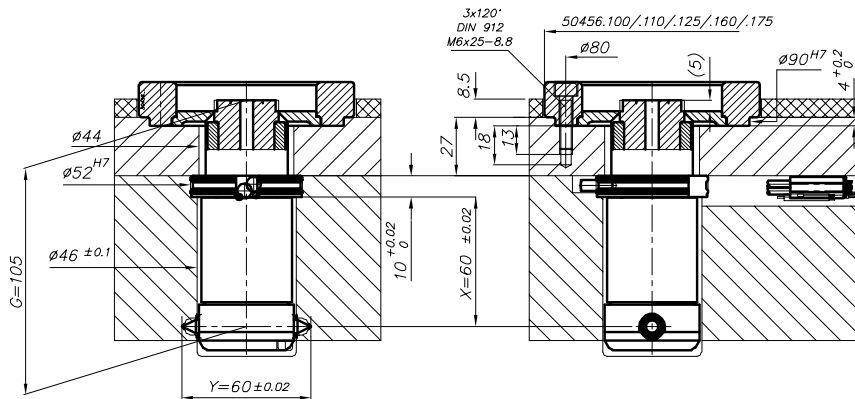
Assembly example for single nozzle

From dimension X
the installation is identical
to the system nozzle
installation (see right page)

ATTENTION!
The injection unit
contact pressure
must not exceed 30 KN

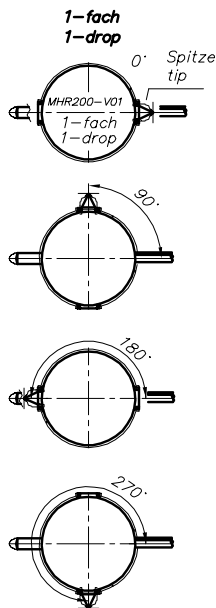
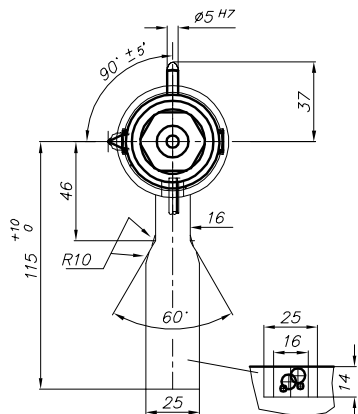


Beispiel/example
G=105

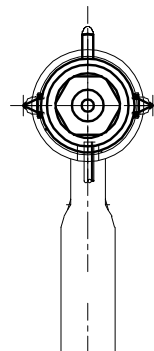


Draufsicht/view D

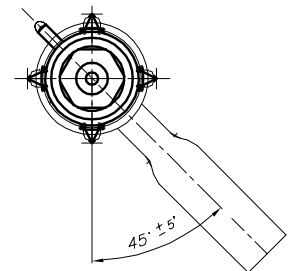
Beispiel 1-fach
example 1-drop



2-fach
2-drop

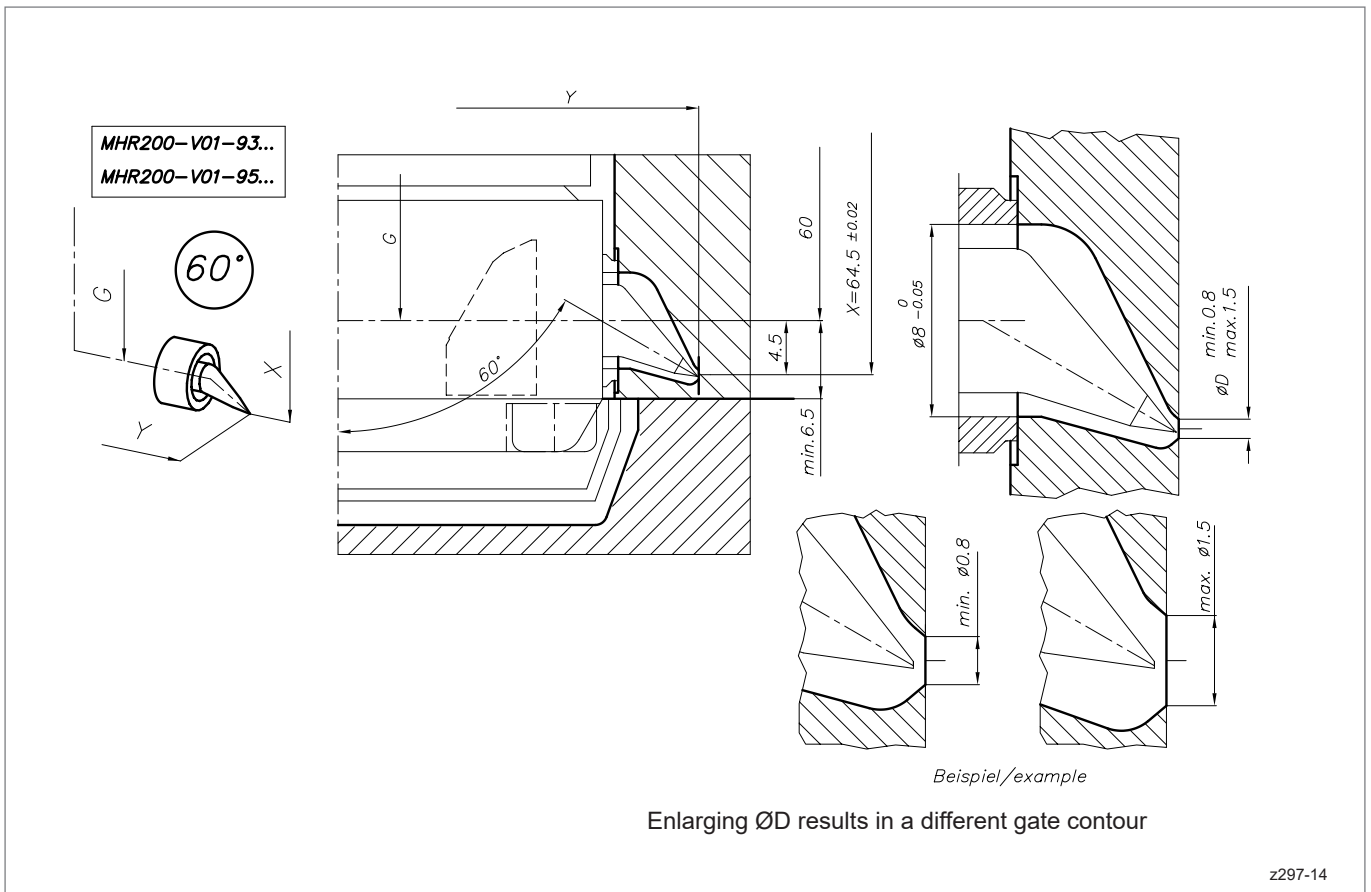
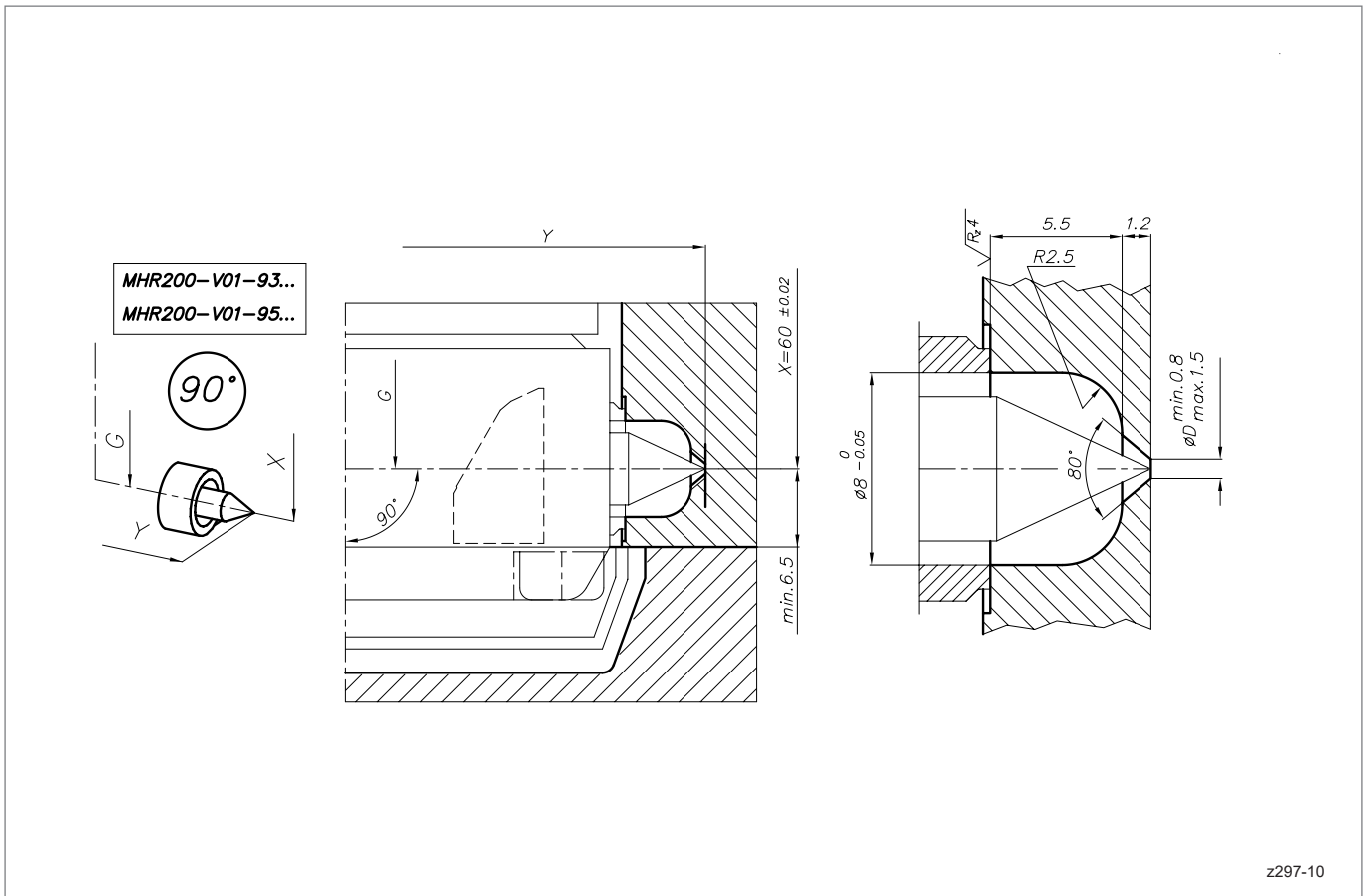


4-fach
4-drop



HPS III-MHR200 radial version

Details of gating geometries



EWIKON Heißkanalsysteme GmbH
Siegener Straße 35 • 35066 Frankenberg / Germany
Tel: +49 6451 501-0 • E-Mail: info@ewikon.com
www.ewikon.com

Technical information subject to alteration | EWIKON 04/2022 EN

